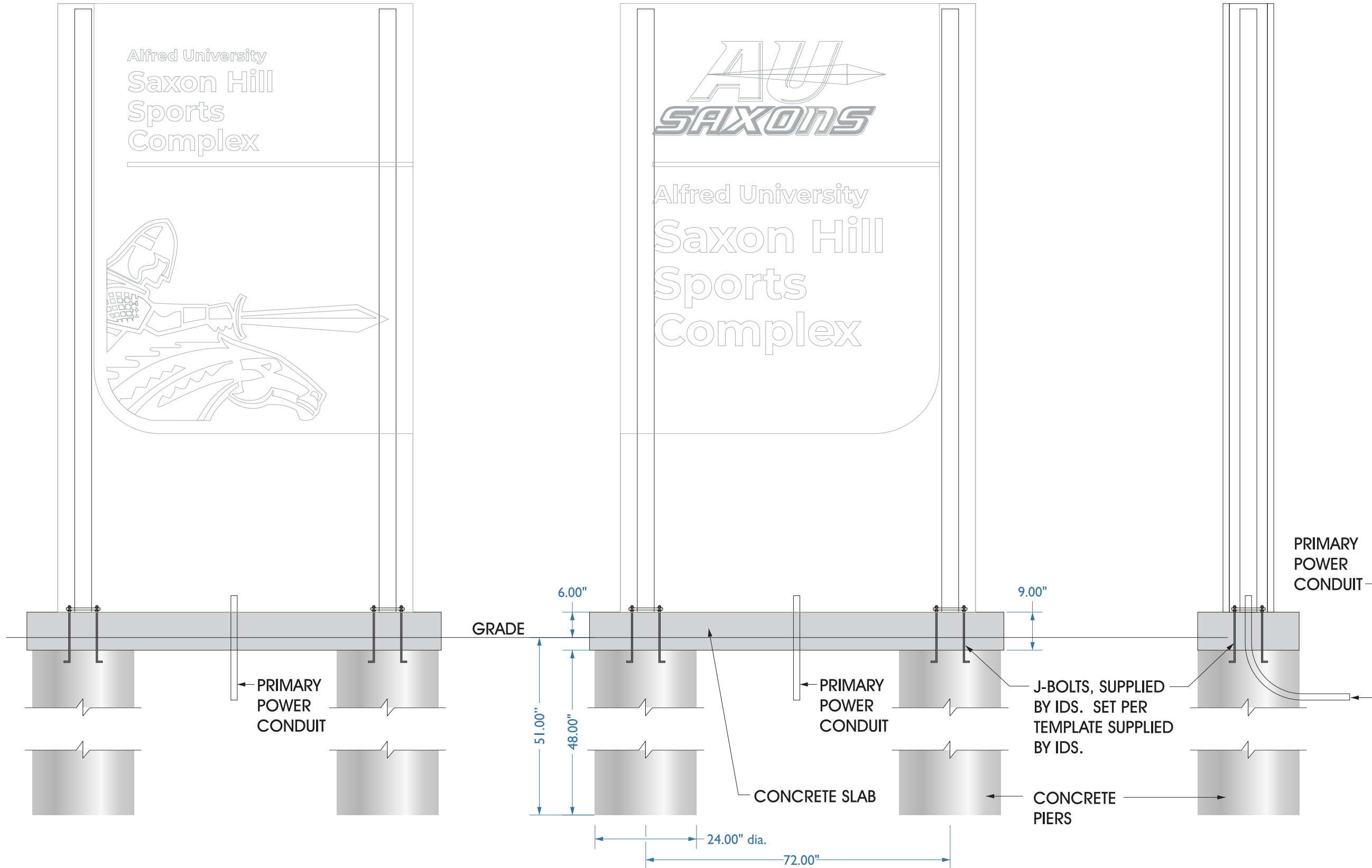
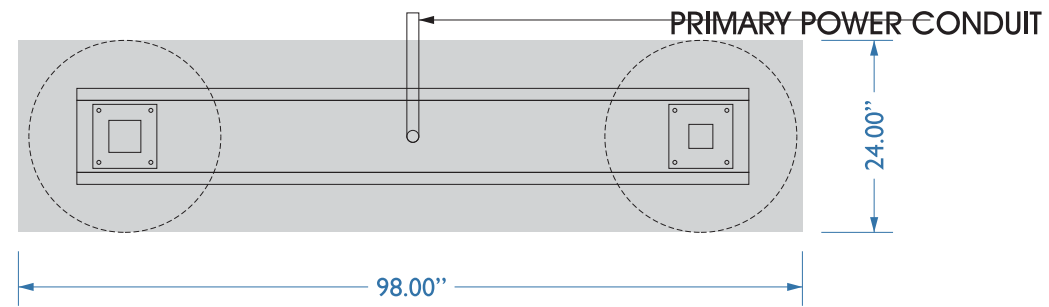


OPTION:
98" x 24" x 42"
RECTANGULAR
BLOCK



ID SIGNSYSTEMS

- 410 Atlantic Avenue
Rochester, NY 14609
- 585 266 5750
- 585 266 5798
- www.idsignsystems.com
- info@idsignsystems.com

CLIENT



DRAWING DESCRIPTION
FOUNDATIONS & SECONDARIES
LOCATION

ALFRED, NY

ACCOUNT MANAGER PROJECT MANAGER
P. DUDLEY S. CECIL

DRAWN BY
DAD

DRAWING # DATE
25187 9/4/25

DATE REVISIONS INITIALS
1/9/26 R1: OVERLAY ON EXISTING DAD

THE PURPOSE OF THIS DRAWING IS FOR

CLIENT APPROVAL PRODUCTION

I have carefully reviewed and hereby accept the drawing(s) as shown. I realize that any changes to these designs made before or after production may alter the contract price. All changes must be in writing and approved by both parties prior to production.

CLIENT SIGNATURE DATE

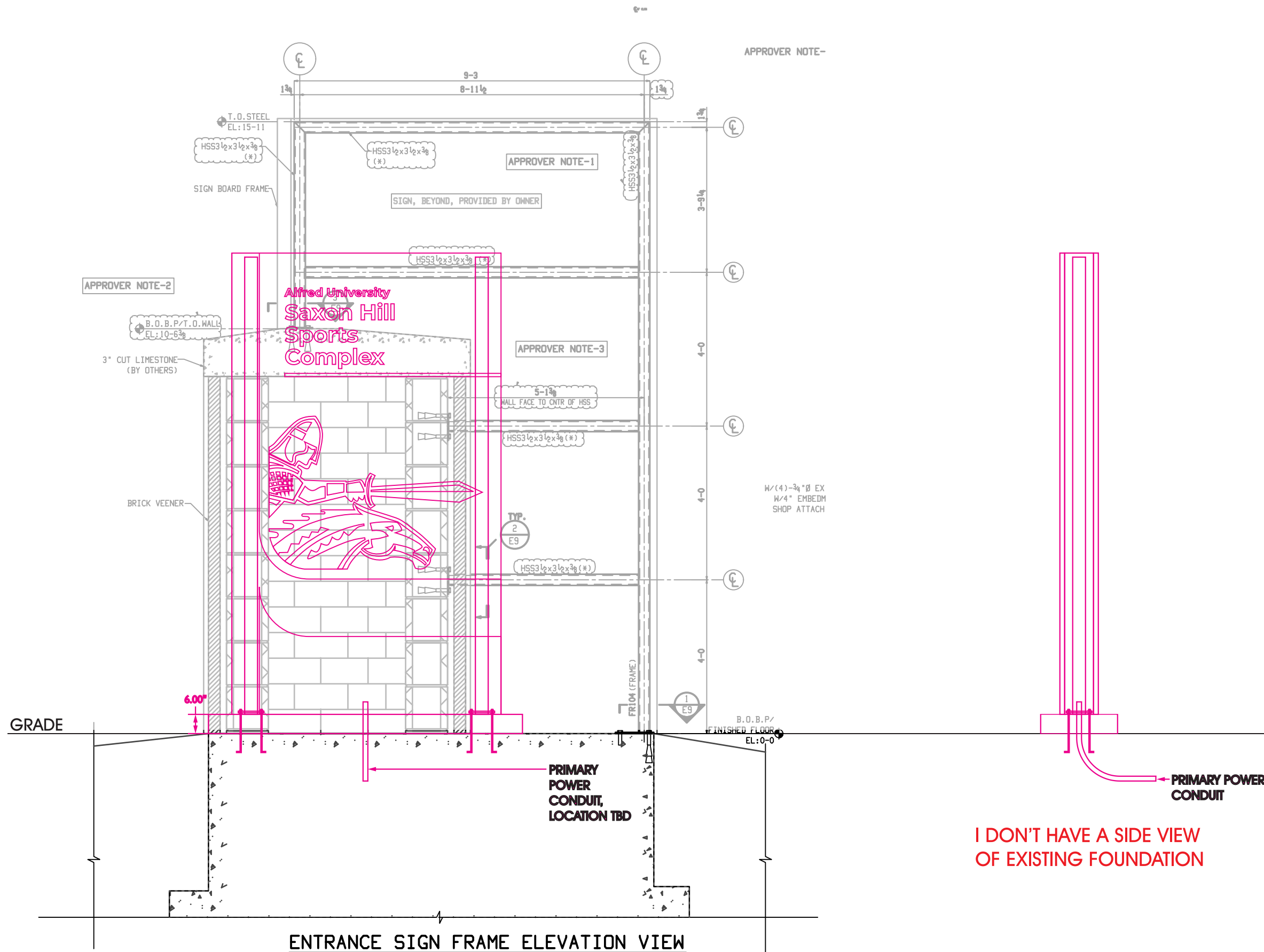
- REVISE & RESUBMIT
- APPROVED AS NOTED
- APPROVED AS SUBMITTED

The custom artwork depicted herein is for representational purposes only and may not exactly match the colors of the product. This is an original unpublished drawing created by ID Signsystems, Inc. It is submitted only for your personal use in connection with a project being prepared for you by ID Signsystems, Inc. It is not to be shown to anyone outside your organization, nor is it to be used, reproduced or exhibited in any fashion.

Electronic signs produced at ID Signsystems, Inc. conform to UL Standards and display the Underwriter's Laboratories labels.

REVISION PAGE NUMBER

R1 1 of 06



ENTRANCE SIGN FRAME ELEVATION VIEW

(REF SEC: 2/A803)

I DON'T HAVE A SIDE VIEW OF EXISTING FOUNDATION



ID SIGNSYSTEMS

- 📍 410 Atlantic Avenue
Rochester, NY 14609
- 📞 585 266 5750
- 📠 585 266 5798
- 🌐 www.idsignsystems.com
- ✉ info@idsignsystems.com

CLIENT



DRAWING DESCRIPTION
FOUNDATIONS & SECONDARIES
LOCATION

ALFRED, NY

ACCOUNT MANAGER: P. DUDLEY
PROJECT MANAGER: S. CECIL

DRAWN BY: DAD

DRAWING #: 25187
DATE: 9/4/25

DATE: 1/9/26
REVISIONS: R1: OVERLAY ON EXISTING
INITIALS: DAD

THE PURPOSE OF THIS DRAWING IS FOR

CLIENT APPROVAL PRODUCTION

I have carefully reviewed and hereby accept the drawing(s) as shown. I realize that any changes to these designs made before or after production may alter the contract price. All changes must be in writing and approved by both parties prior to production.

CLIENT SIGNATURE _____ DATE _____

- REVISE & RESUBMIT
- APPROVED AS NOTED
- APPROVED AS SUBMITTED

The custom artwork depicted herein is for representational purposes only and may not exactly match the colors of the product. This is an original unpublished drawing created by ID Signsystems, Inc. It is submitted only for your personal use in connection with a project being prepared for you by ID Signsystems, Inc. It is not to be shown to anyone outside your organization, nor is it to be used, reproduced or exhibited in any fashion.

Electronic signs produced at ID Signsystems, Inc. conform to UL Standards and display the Underwriter's Laboratories labels.

REVISION _____ PAGE NUMBER _____



ID SIGNSYSTEMS

- 410 Atlantic Avenue
Rochester, NY 14609
- 585 266 5750
- 585 266 5798
- www.idsignsystems.com
- info@idsignsystems.com

CLIENT



DRAWING DESCRIPTION
FOUNDATIONS & SECONDARIES
LOCATION

ALFRED, NY

ACCOUNT MANAGER PROJECT MANAGER
P. DUDLEY S. CECIL

DRAWN BY
DAD

DRAWING # DATE
25187 9/4/25

DATE REVISIONS INITIALS
1/9/26 R1: OVERLAY ON EXISTING DAD

THE PURPOSE OF THIS DRAWING IS FOR

CLIENT APPROVAL PRODUCTION

I have carefully reviewed and hereby accept the drawing(s) as shown. I realize that any changes to these designs made before or after production may alter the contract price. All changes must be in writing and approved by both parties prior to production.

CLIENT SIGNATURE DATE

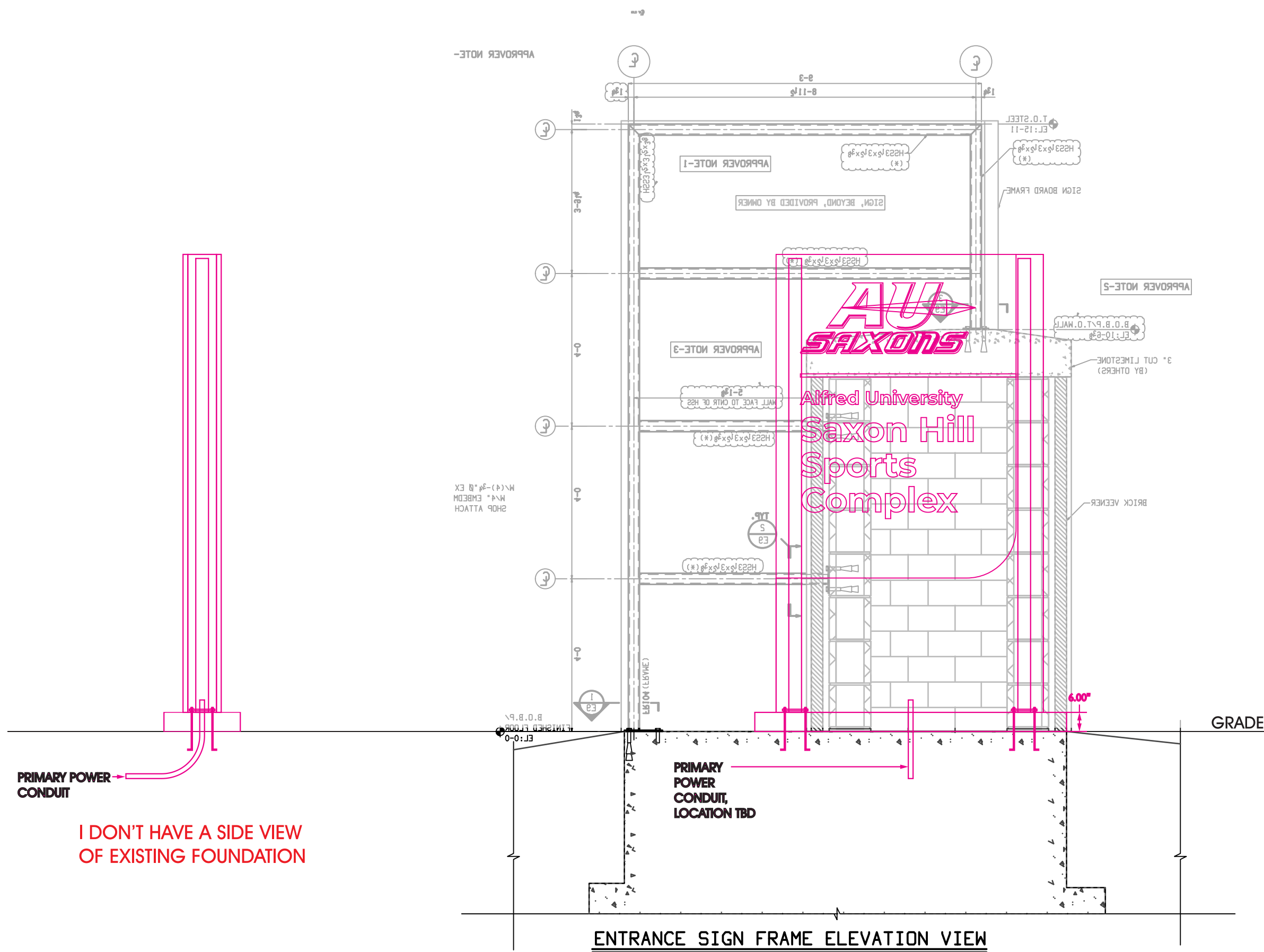
- REVISE & RESUBMIT
- APPROVED AS NOTED
- APPROVED AS SUBMITTED

The custom artwork depicted herein is for representational purposes only and may not exactly match the colors of the product. This is an original unpublished drawing created by ID Signsystems, Inc. It is submitted only for your personal use in connection with a project being prepared for you by ID Signsystems, Inc. It is not to be shown to anyone outside your organization, nor is it to be used, reproduced or exhibited in any fashion.

Electronic signs produced at ID Signsystems, Inc. conform to UL Standards and display the Underwriter's Laboratories labels.

REVISION PAGE NUMBER

R1 3 of 06



ENTRANCE SIGN FRAME ELEVATION VIEW

(REF SEC: 2/A803)

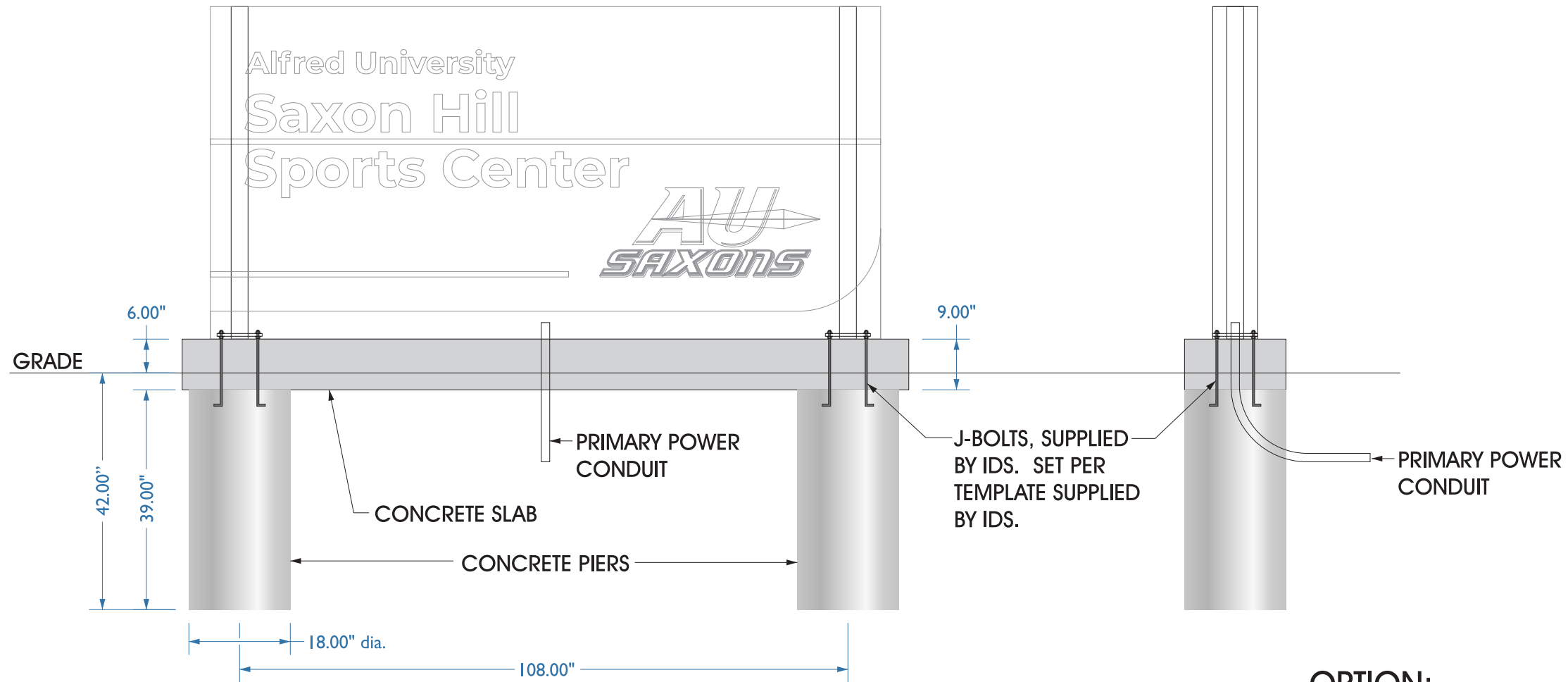
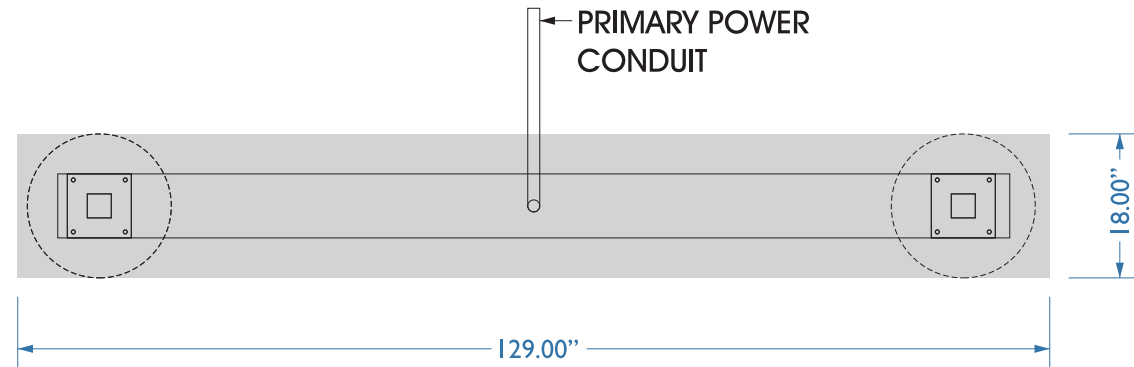
PRIMARY POWER CONDUIT

PRIMARY POWER CONDUIT, LOCATION TBD

I DON'T HAVE A SIDE VIEW OF EXISTING FOUNDATION

Alfred University
Saxon Hill
Sports
Complex





**OPTION:
129" x 18" x 42"
RECTANGULAR
BLOCK**



ID SIGNSYSTEMS

- 410 Atlantic Avenue
Rochester, NY 14609
- 585 266 5750
- 585 266 5798
- www.idsignsystems.com
- info@idsignsystems.com

CLIENT



DRAWING DESCRIPTION
FOUNDATIONS & SECONDARIES
LOCATION

ALFRED, NY

ACCOUNT MANAGER P. DUDLEY
PROJECT MANAGER S. CECIL

DRAWN BY DAD

DRAWING # 25187
DATE 9/4/25

DATE 1/9/26
REVISIONS R1: OVERLAY ON EXISTING
INITIALS DAD

THE PURPOSE OF THIS DRAWING IS FOR

CLIENT APPROVAL PRODUCTION

I have carefully reviewed and hereby accept the drawing(s) as shown. I realize that any changes to these designs made before or after production may alter the contract price. All changes must be in writing and approved by both parties prior to production.

CLIENT SIGNATURE _____ DATE _____

- REVISE & RESUBMIT
- APPROVED AS NOTED
- APPROVED AS SUBMITTED

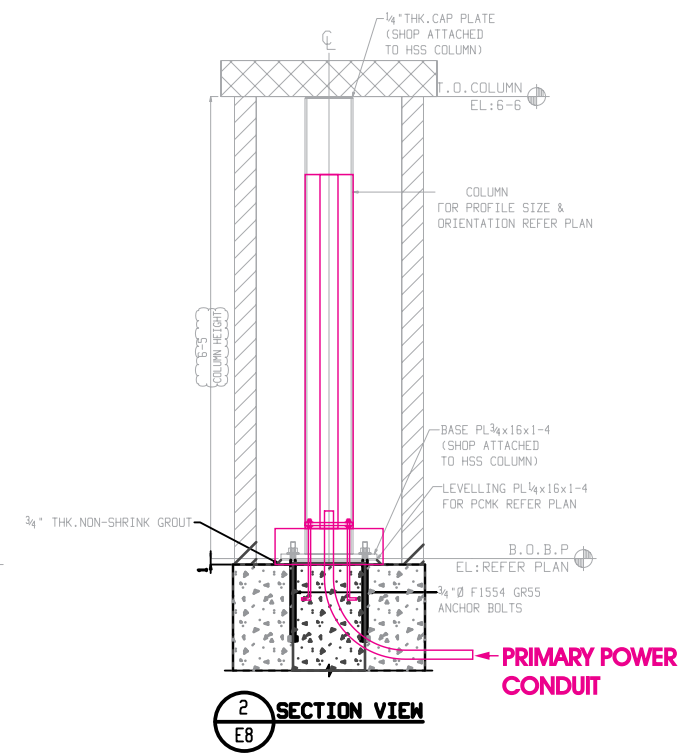
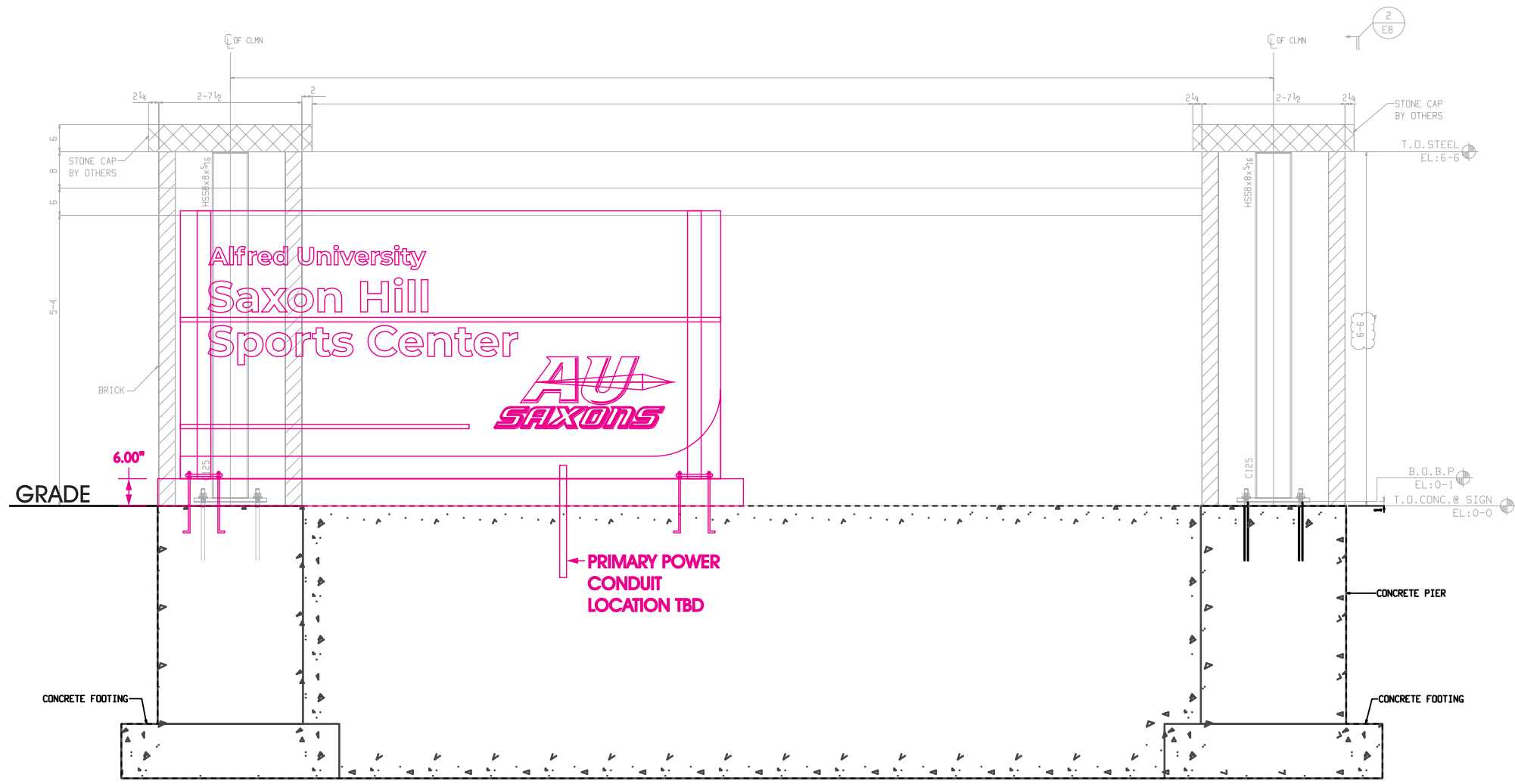
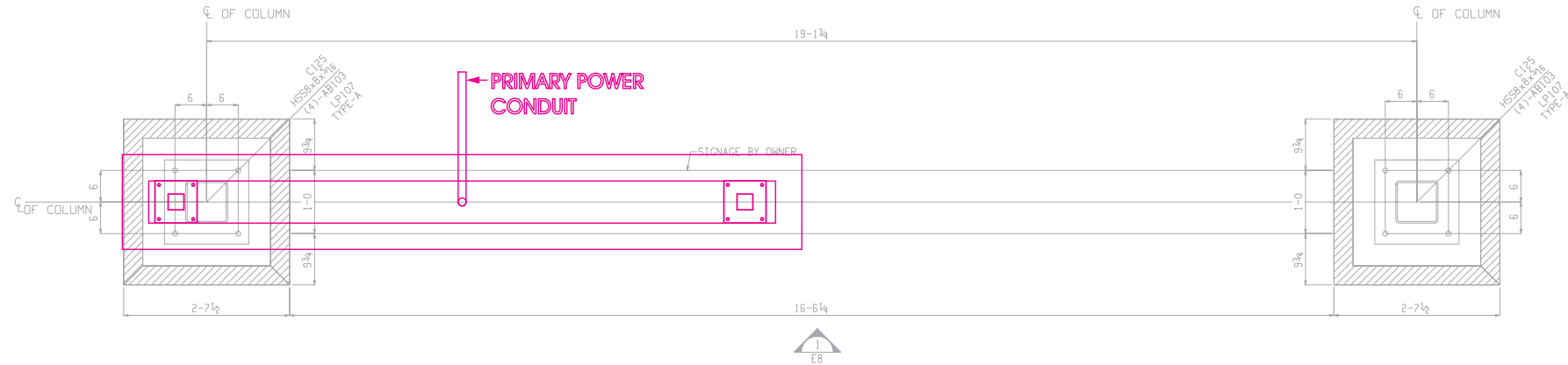
The custom artwork depicted herein is for representational purposes only and may not exactly match the colors of the product. This is an original unpublished drawing created by ID Signsystems, Inc. It is submitted only for your personal use in connection with a project being prepared for you by ID Signsystems, Inc. It is not to be shown to anyone outside your organization, nor is it to be used, reproduced or exhibited in any fashion.

Electronic signs produced at ID Signsystems, Inc. conform to UL Standards and display the Underwriter's Laboratories labels.

REVISION _____ PAGE NUMBER _____

EXISTING FOUNDATION, TYPE GT

Scale: 1:32



1 SPORTS FACILITY SIGN ELEVATION
(REF SEC: 7/A802)



ID SIGNSYSTEMS

- 410 Atlantic Avenue
Rochester, NY 14609
- 585 266 5750
- 585 266 5798
- www.idsignsystems.com
- info@idsignsystems.com

CLIENT



DRAWING DESCRIPTION
FOUNDATIONS & SECONDARIES
LOCATION

ALFRED, NY
ACCOUNT MANAGER: P. DUDLEY
PROJECT MANAGER: S. CECIL
DRAWN BY: DAD

DRAWING #: 25187
DATE: 9/4/25

DATE: 1/9/26
REVISIONS: R1: OVERLAY ON EXISTING
INITIALS: DAD

THE PURPOSE OF THIS DRAWING IS FOR
 CLIENT APPROVAL PRODUCTION

I have carefully reviewed and hereby accept the drawing(s) as shown. I realize that any changes to these designs made before or after production may alter the contract price. All changes must be in writing and approved by both parties prior to production.

CLIENT SIGNATURE: _____ DATE: _____
 REVISE & RESUBMIT
 APPROVED AS NOTED
 APPROVED AS SUBMITTED

The custom artwork depicted herein is for representational purposes only and may not exactly match the colors of the product. This is an original unpublished drawing created by ID Signsystems, Inc. It is submitted only for your personal use in connection with a project being prepared for you by ID Signsystems, Inc. It is not to be shown to anyone outside your organization, nor is it to be used, reproduced or exhibited in any fashion.

Electronic signs produced at ID Signsystems, Inc. conform to UL Standards and display the Underwriter's Laboratories labels.

REVISION: R1 PAGE NUMBER: 5 of 06